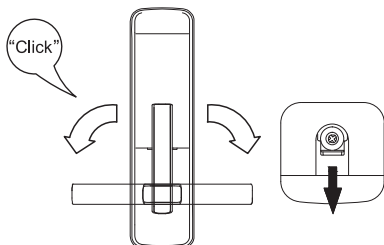
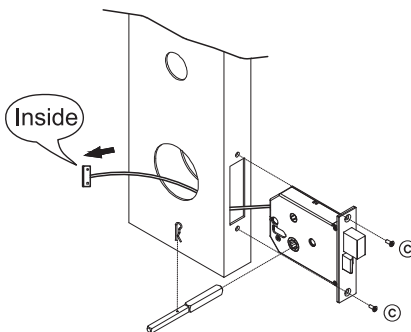


## Installation guide

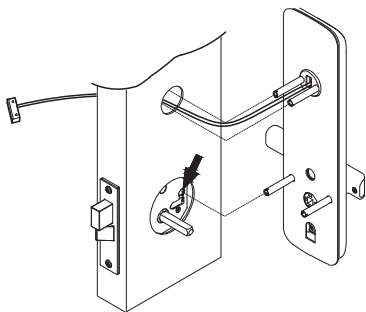
### 1. Setting Handle Direction



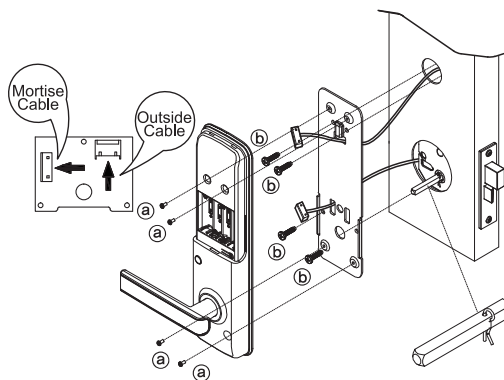
### 2. Install the mortise



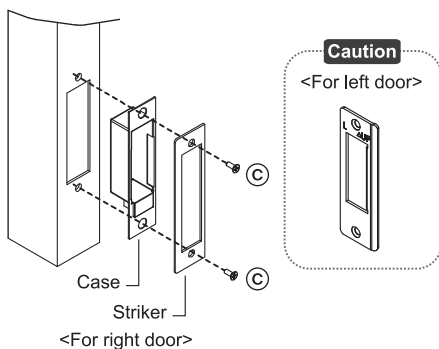
### 3. Install the Outer body



### 4. Install the Inner body



### 5. Install the striker



- ★ When installing the strike (plate), be sure to install the strike case packed with this product.
- ★ Products that do not have a strike case installed in it will not work properly.

## Screw Components

- |   |  |                |
|---|--|----------------|
| a |  | M4-6mm/4ea     |
| b |  | M5-20mm/4ea    |
| c |  | 3/16"-12mm/4ea |

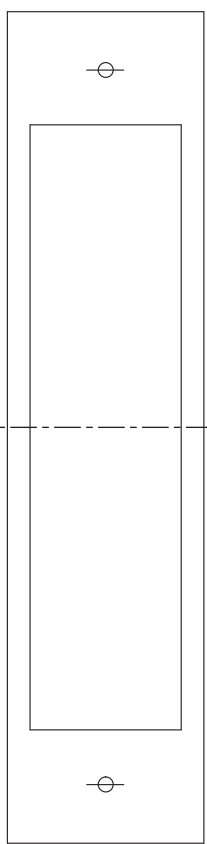
## Installation Check

1. After installation, place the batteries. The buzzer will be heard.
2. Before closing the door, register pin number or card check door opening by pin number or card.

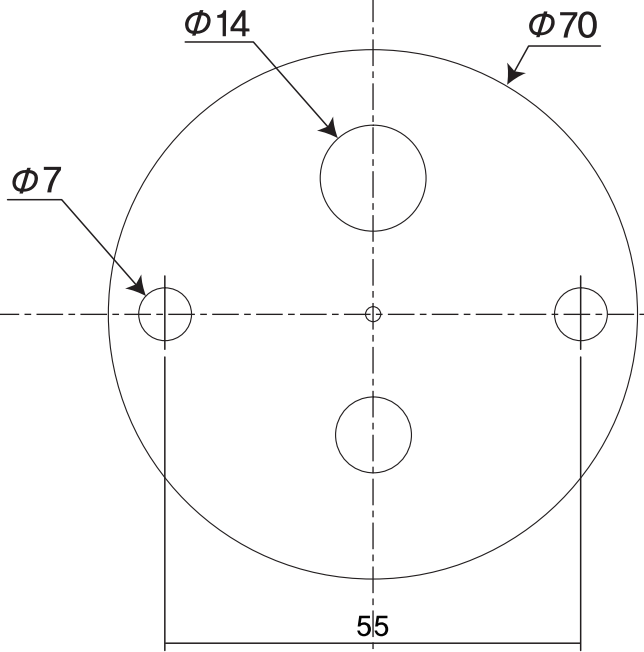
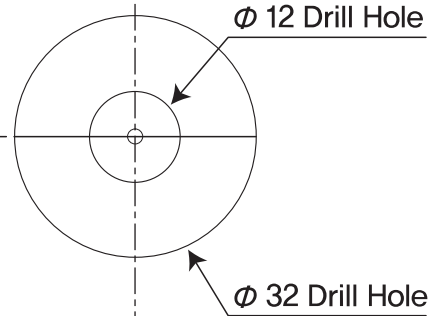
**Trace Form**

Fold the form based on the opposite left, right direction of the handle

FOLD HERE



135



70