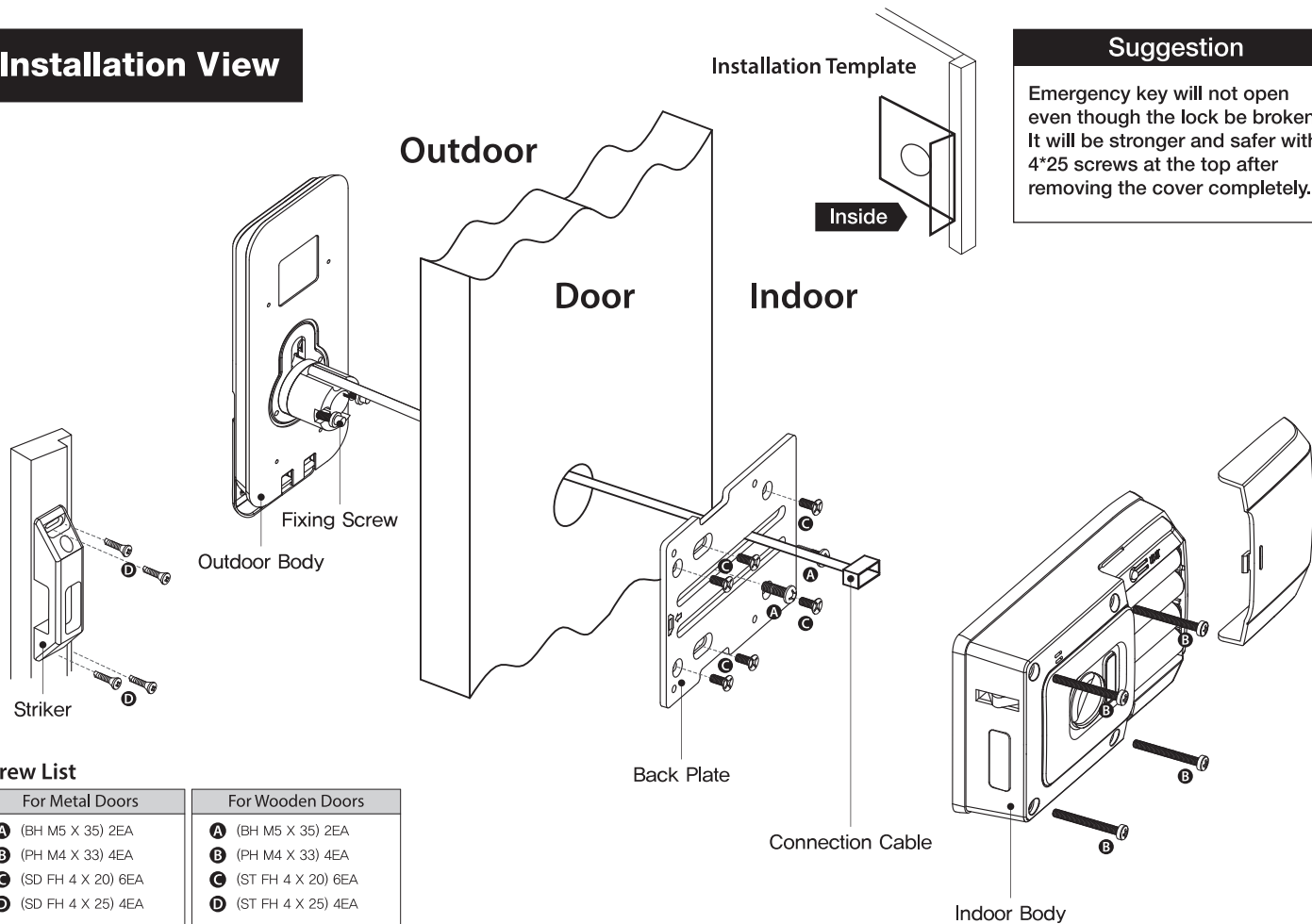


Installation View



Suggestion

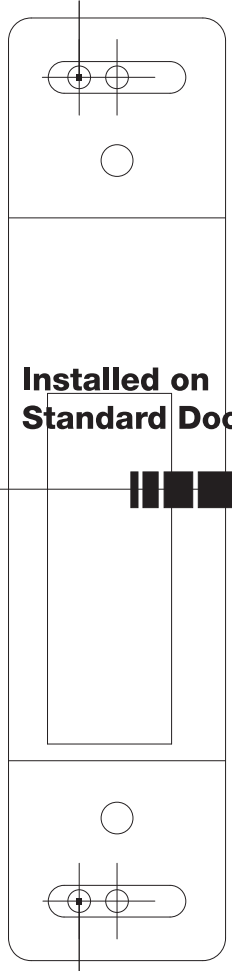
Emergency key will not open even though the lock be broken. It will be stronger and safer with 4*25 screws at the top after removing the cover completely.

Screw List

For Metal Doors	For Wooden Doors
A (BH M5 X 35) 2EA	A (BH M5 X 35) 2EA
B (PH M4 X 33) 4EA	B (PH M4 X 33) 4EA
C (SD FH 4 X 20) 6EA	C (ST FH 4 X 20) 6EA
D (SD FH 4 X 25) 4EA	D (ST FH 4 X 25) 4EA

! Please note the screw specifications can be different depending on door material and thickness.
Door thickness: 40~50mm

Diecasting for Coupler Type



Installed on Standard Door

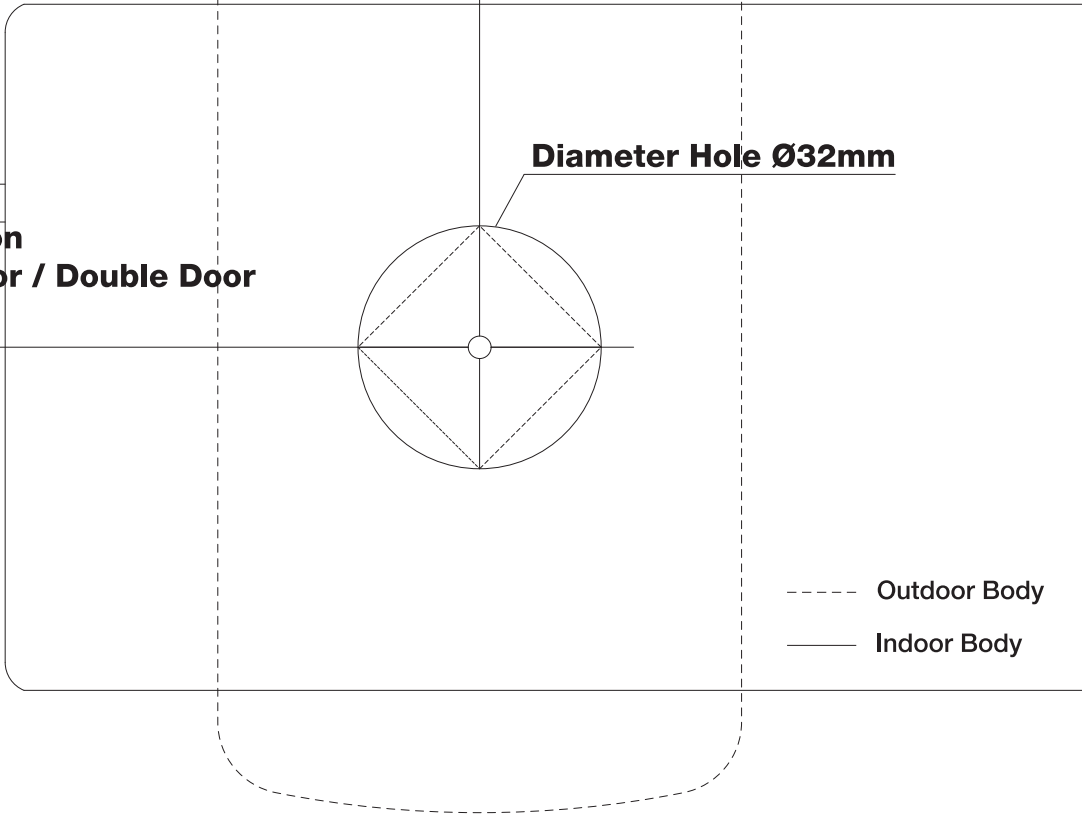


Installed on Single Door / Double Door



Diecasting for Coupler Type

Installation Template



----- Outdoor Body
———— Indoor Body