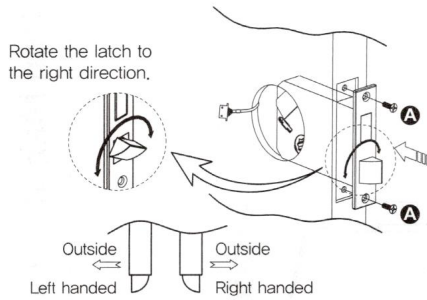


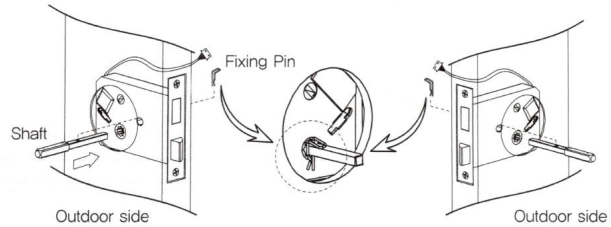
# Installation Guide

## 1. To Install Mortise



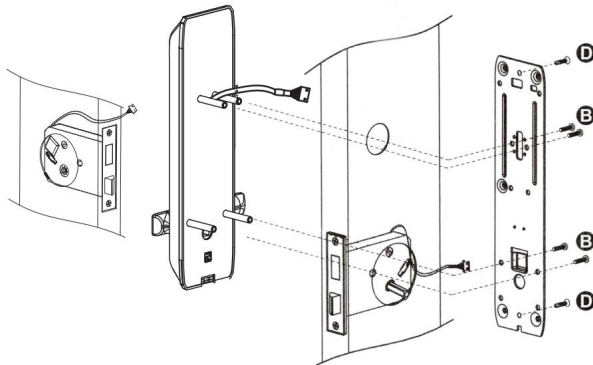
Check the side of door and, if necessary, turn the latch 180 degree to set the left/right side.

## 2. To Install Mortise Shaft

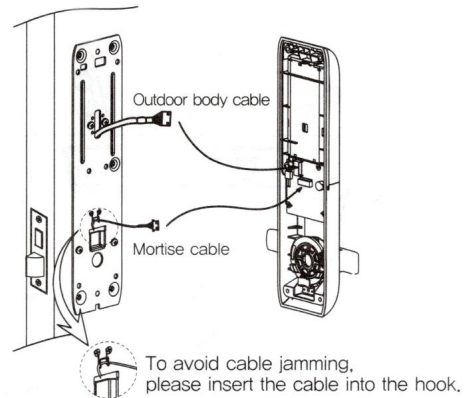


## 3. To Install Mortise Shaft Fixing Pin

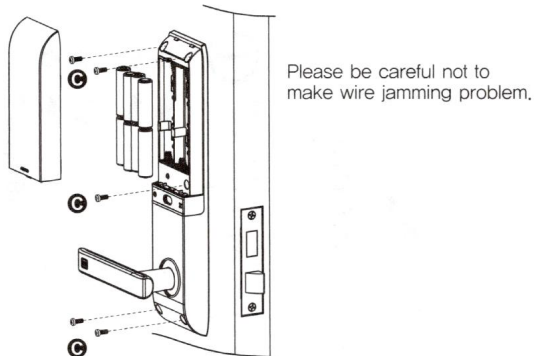
## 4. To Install Outdoor Body



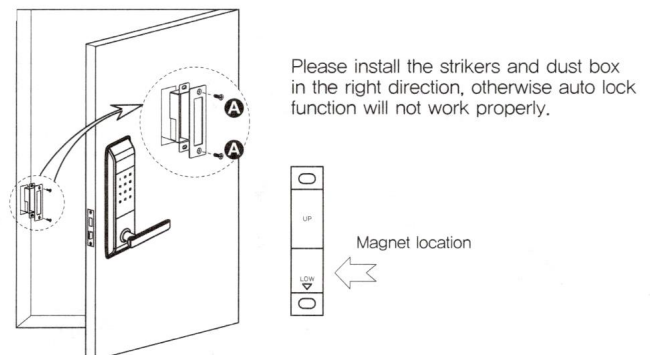
## 5. To Connect Cables



## 6. To Install Indoor Body



## 7. To Install Striker



## Post - Installation Checklist

1. Please check the auto lock function.
2. Check password and RFID card registration & authentication.
3. Check inside force lock, if it is working properly.
4. Check emergency battery (9V) outlet.
5. Read carefully the user manual.

### To Set Auto lock

Enter password  
Press **#** button 2 times  
press **4** button

### To Set Manual lock

Enter password  
Press **#** button 2 times  
press **7** button



Check the type and thickness of the door for the installation. (Door thickness for basic types is 40~50mm)  
If any extra panel has to be added, please make sure the door thickness states the original thickness plus the added thickness.

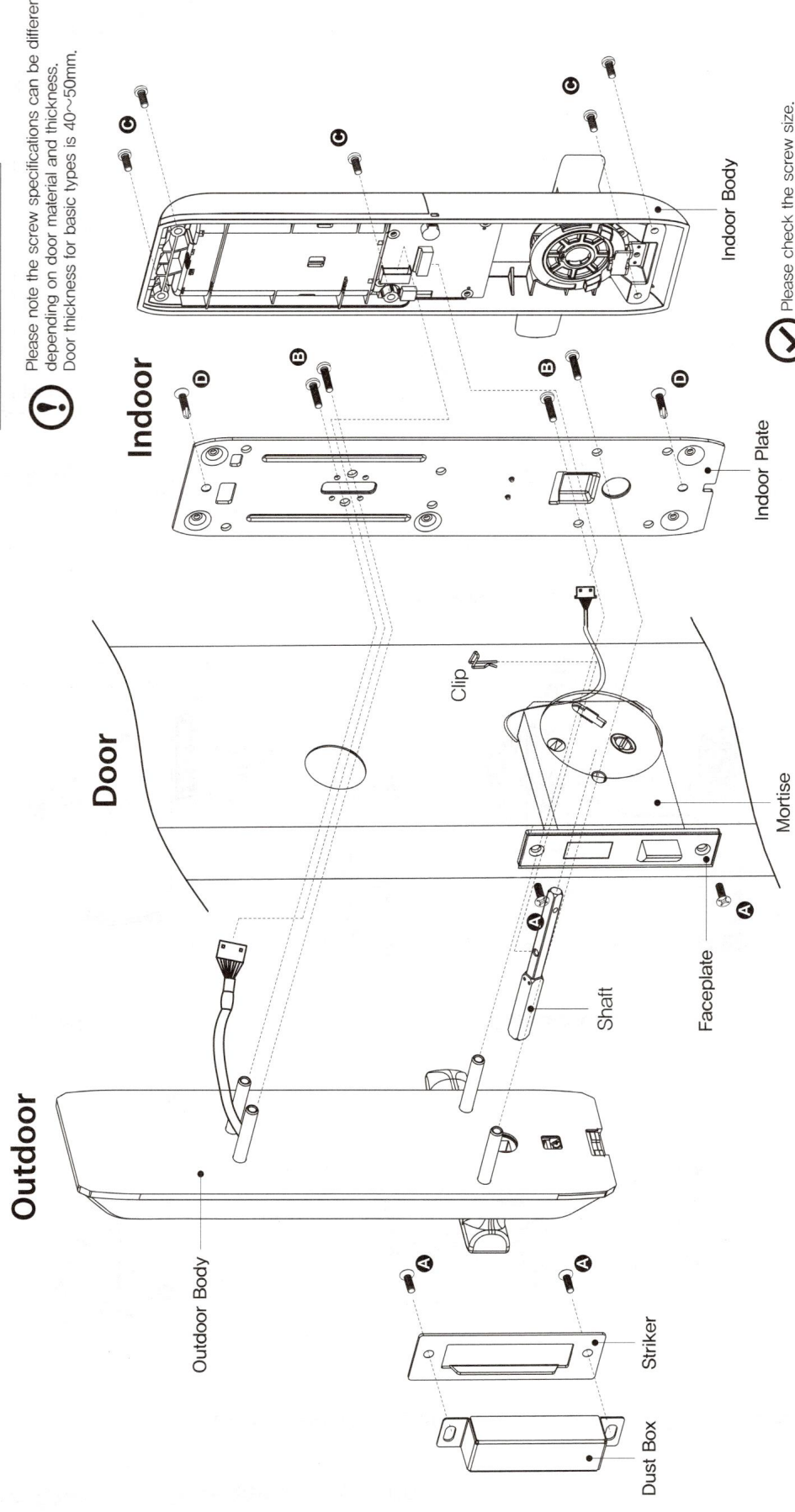
**AFTER INSTALLATION INSERT BATTERIES WHILE DOOR IS OPEN.**

# Installation Guide

## Screw List

<b>A</b>	(FH M3/16 X 1/2) 4EA
<b>B</b>	(BH M5 X 20) 4EA or
<b>C</b>	(PH M4 X 14 BLACK) 5EA
<b>D</b>	(SD FH 4 X 20) 2EA

**!** Please note the screw specifications can be different depending on door material and thickness. Door thickness for basic types is 40~50mm.



**✓** Please check the screw size.

# INSTALLATION FORM

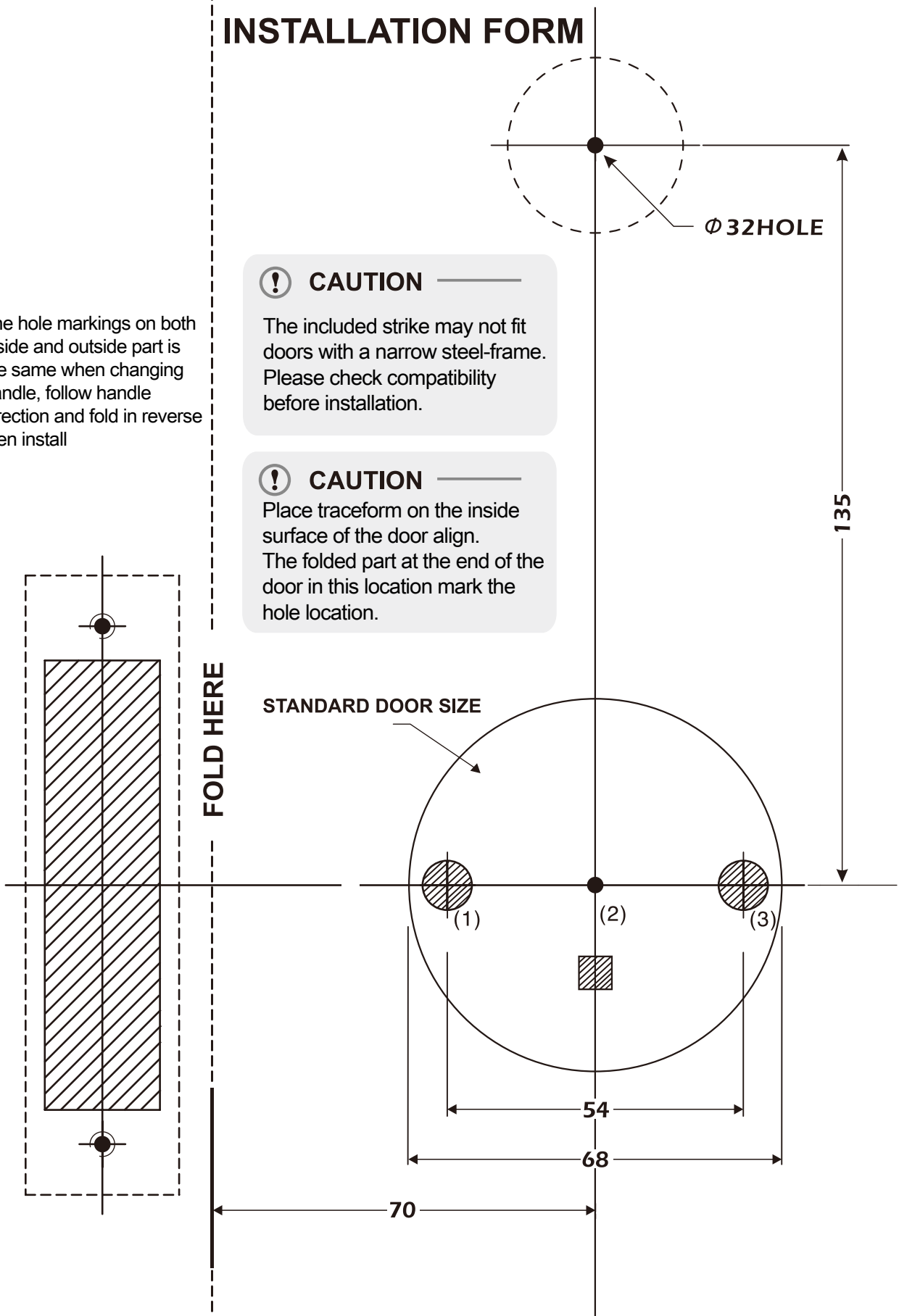
⦿ The hole markings on both inside and outside part is the same when changing handle, follow handle direction and fold in reverse then install

## ! CAUTION

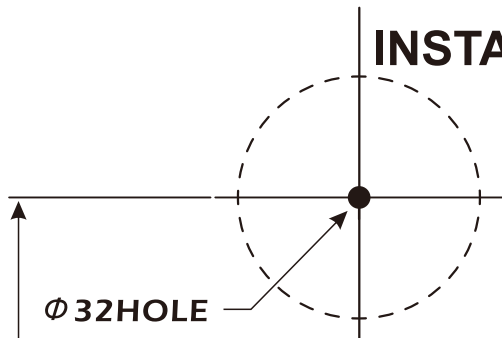
The included strike may not fit doors with a narrow steel-frame. Please check compatibility before installation.

## ! CAUTION

Place traceform on the inside surface of the door align. The folded part at the end of the door in this location mark the hole location.



# INSTALLATION FORM



Ø 32HOLE

135

## ! CAUTION

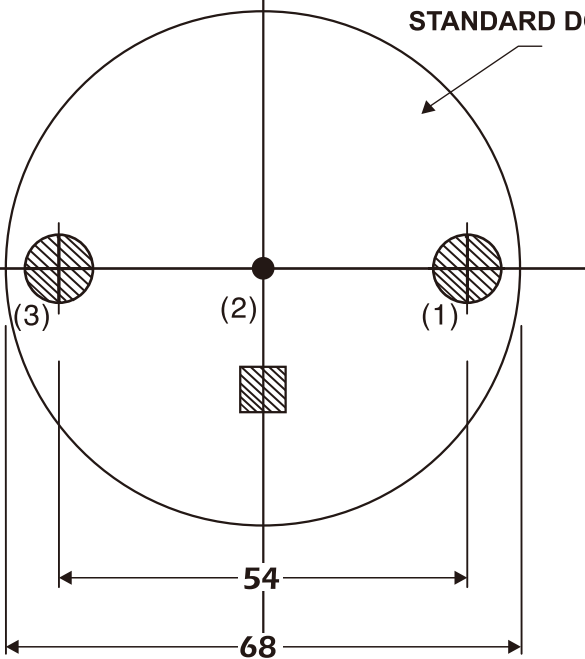
The included strike may not fit doors with a narrow steel-frame. Please check compatibility before installation.

## ! CAUTION

Place traceform on the inside surface of the door align. The folded part at the end of the door in this location mark the hole location.

- The hole markings on both inside and outside part is the same when changing handle, follow handle direction and fold in reverse then install

STANDARD DOOR SIZE



(3)

(2)

(1)

54

68

70

FOLD HERE

