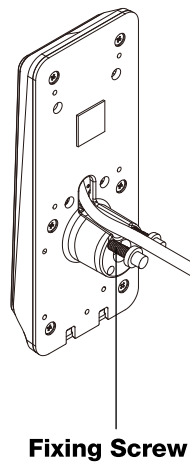
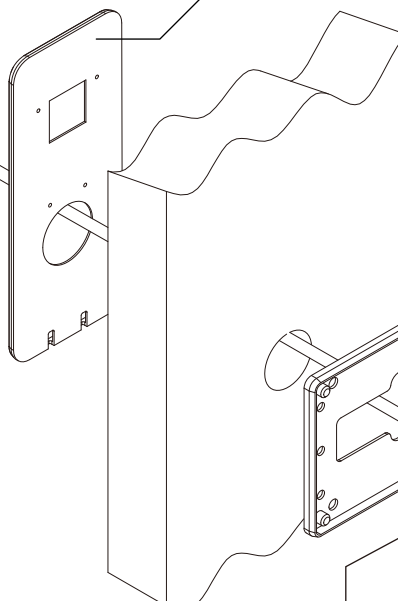


# Installation View

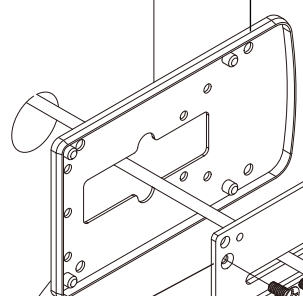
Outdoor Body



Rubber



Rubber



Back Plate

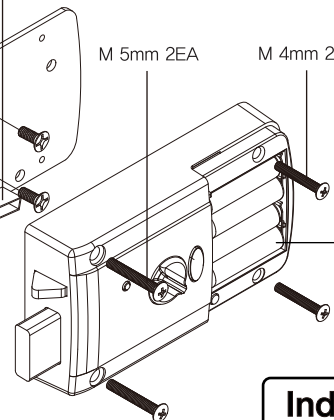
SD FH 4mm 5EA

M 5mm 2EA

Connection Cable

M 5mm 2EA

M 4mm 2EA

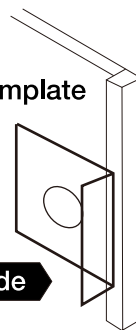


Battery

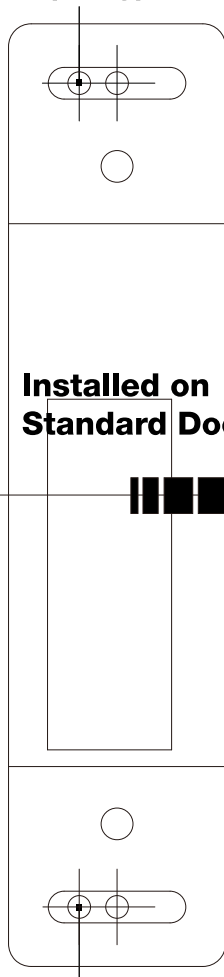
Indoor Body

Installation Template

Inside



**Diecasting for Coupler Type**



**Installed on Standard Door**



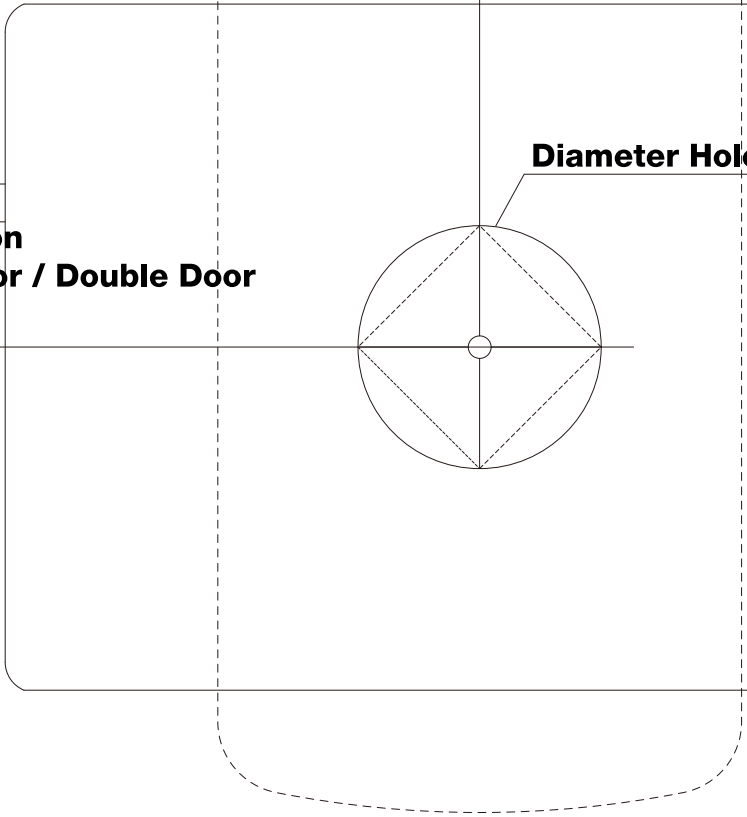
**Installed on Single Door / Double Door**



**Diecasting for Coupler Type**



**Installation Template**



----- Outside  
————— Inside