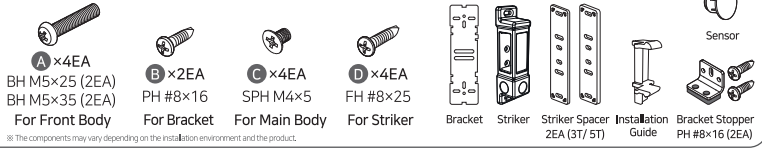


# Quick Installation Guide

-The product can be installed on doors with a thickness of 35 to 50mm.

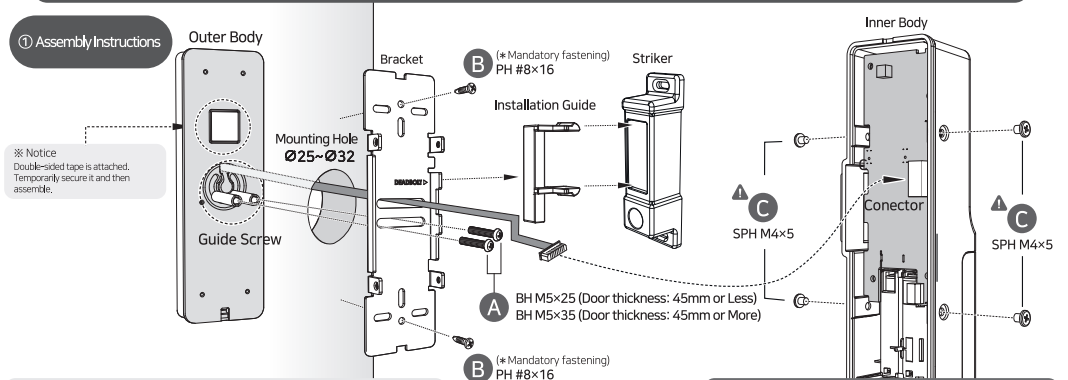
## ◎ Types of installation screws and components



※ The components may vary depending on the installation environment and the product.

⚠ This product should not be installed on doors with a thickness of 60mm or more, or on heavy large sliding doors (such as factory doors, warehouse doors, etc.).

### ① Assembly Instructions



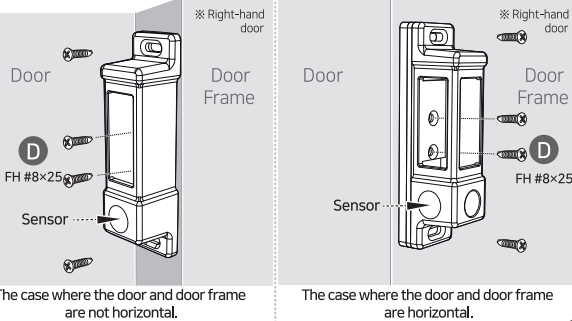
**⚠ Caution**  
This is an example image based on the assumption that it will be installed on a right-hand door. If installing on a left-hand door, please rotate the indoor unit 180° so that the deadbolt is on the left side.

**⚠ Caution**  
When fastening the screws on the side of the indoor unit, please make sure to use the included **C** SPH M4x5 screws.

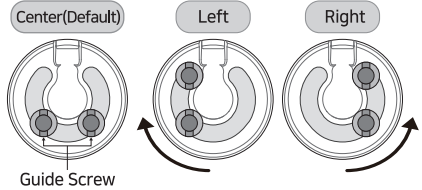
- After attaching the Installation Guide and Striker to the Bracket, mark the **Mounting Hole** and **Striker** position based on the inner edge of the door.
- Where **Mounting Hole** are marked, drill **Mounting Holes** with a minimum  $\varnothing$  of 25 to a maximum  $\varnothing$  of 32.
- Insert the cable through the **Mounting Hole**, position the **Guide Screw** in the center, and then secure it with Double-sided tape.
- Use screw **A** to temporarily secure the Outer Body and Bracket to the **Guide Screw**.  
 ⚠ When installing the Bracket, make sure that the direction of the "DEADBOLT" arrow aligns with the direction in which the Inner Body deadbolt extends.  
 ⚠ Screw **A** (BH M5x35) is additionally provided. Please use it during installation if the door thickness is 45mm or more.
- After aligning the distance between the Striker and the Bracket, secure the Bracket with screw **A** and then fasten the Striker with screw **D**.  
 ⚠ Be careful not to jam the cable when fastening screws.
- Connect the Outer Body cable to the Inner Body connector and attach the Inner Body to the fixing Bracket.
- Secure the Inner Body with screw **C** to complete the installation.

### ② How to Install Striker

※ Notice  
Please use the Striker Spacer depending on the installation environment.



### ③ How to fix the rotary Guide Screw



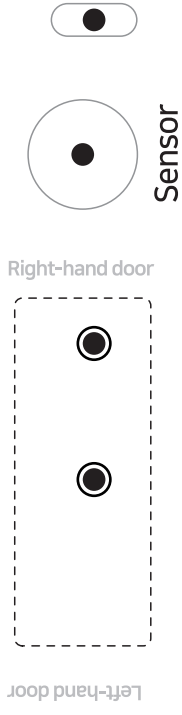
Adjust and fix the **Guide Screws** to the appropriate position according to the internal structure of the door where the Door Lock will be installed.

### ◎ Inspection matters

※ Before use, please make sure to remove the protective film from the Outer Body's window.

- Insert the battery into the Rear Body, register a PIN Number, and then check if the door lock operates using the registered PIN Number.
  - Check the operation status of the Rear Body's open/dose button and the manual opening/closing device.
  - After closing the door from inside, press the open/dose button to ensure that the deadbolt properly fits into the striker.
- ※ When inserting the battery, make sure the battery removal sheet does not protrude above the battery. Insert the battery properly, aligning the + and - positions as shown. And the initial password is "1234".

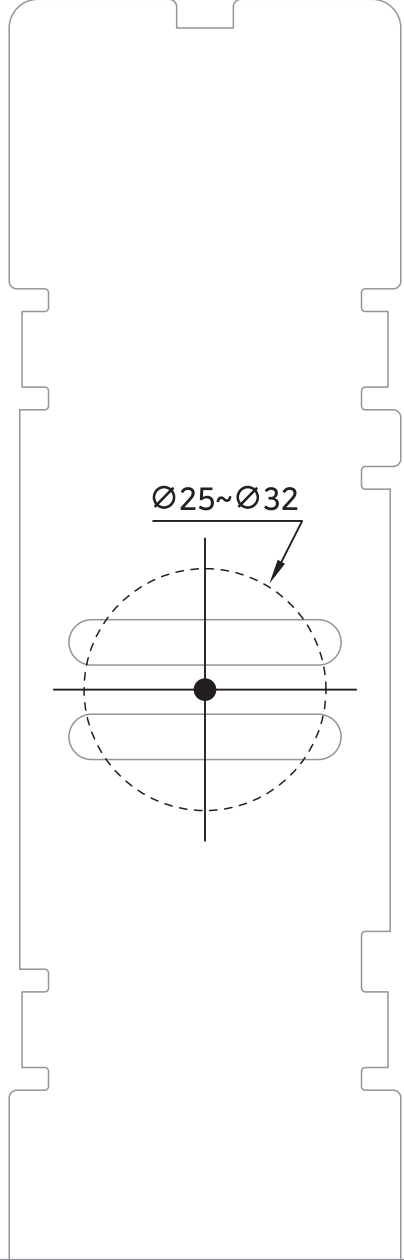
A case in which the door frame is not horizontal



folding line

Install the product so that the sensor label position aligns with the position of the magnetic sensor.

# Installation Guide



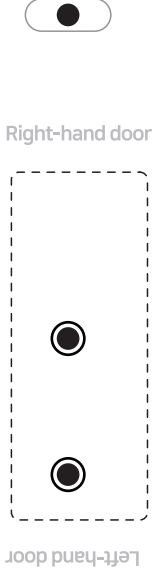
folding line

Before use, please make sure to remove the protective film from the Outer Body's front window.

the end of the door

Install the product so that the sensor label position aligns with the position of the magnetic sensor.

the end of the door



Sensor

A case in which the door frame is horizontal